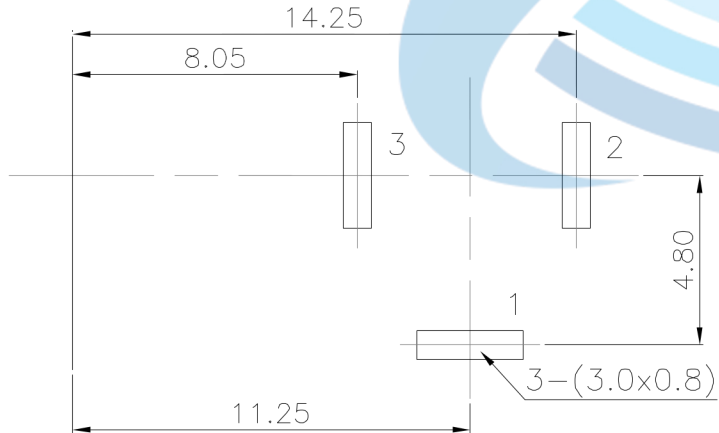


P.C.B LAYOUT(top view)



Model No.	A=φ8 L=5.7	DC-124-A	DC-124-B
	A=M8×P0.75L=5.7	DC-124M-A	DC-124M-B
	A=8 L=8.5	DC-125-A	DC-125-B
	\triangle A=M8×P0.75 L=8.5	DC-125M-A	DC-125M-B
Schematic			

Rating:0.5A 30V DC
 Contact Resistance:100 mΩ Max.
 Operating temperature:-20℃~70℃
 Operating force:3-20N
 Operating Life:5,000cycles

②	Terminal	3	Phosphor bronze	Au Plating		
①	Housing	1	Nylon	Black		
ITEM	PART NAME	TER'NO.	QTY.	MATERIAL	FINISHING	REMARK

APPROVALS		DATE		东莞市颖鑫电子科技有限公司		
DRAWN	J.X.Zhang	2013/11/11				
CHECKED				TITLE:	PHONE JACKES	
APPROVALS				PART NO.	DC-124	
TOLERANCES ARE		30~40: ±0.30	ANGLE	UNIT: mm	SCALE: 1:1	PROJ:
		10~30: ±0.20		DRAWING NO.		SHEET 1 OF 1
		5~10: ±0.15	±2°			
		~ 5: ±0.10				

_____	A	_____	NEW	_____	_____	_____
ECN NO.	REV.	DATE.	DESCRIPTION.	CHANGE.	CHECK.	APPRO.