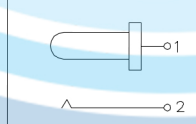
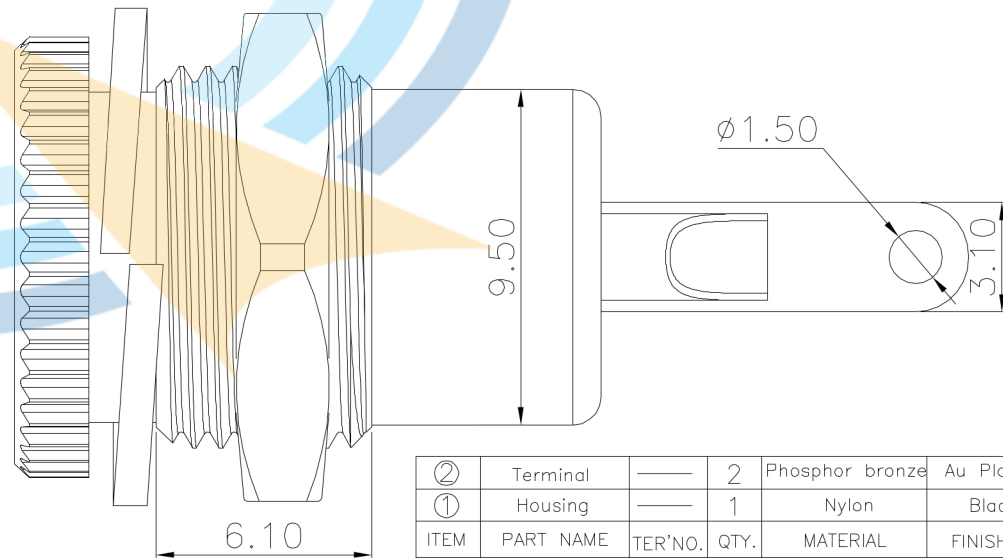


		DC-099	
Model No.	DC-099-1	DC-099-2	
PIN	φ2.0	φ2.5	

Rating:0.5A 30V DC  
 Contact Resistance:100 mΩ Max.  
 Operating temperature:-20℃~70℃  
 Operating force:3-20N  
 Operating Life:5,000cycles



ITEM	PART NAME	TER'NO.	QTY.	MATERIAL	FINISHING	REMARK
②	Terminal	—	2	Phosphor bronze	Au Plating	—
①	Housing	—	1	Nylon	Black	—

APPROVALS			DATE			
DRAWN	J.X.Zhang	2013/11/11				
CHECKED			TITLE:	PHONE JACKES		
APPROVALS			PART NO.	DC-099		
TOLERANCES ARE	30~50μ	±0.30	ANGLE	UNIT: mm	SCALE: 1:1	PROJ: 
	10~30	±0.20		DRAWING NO.		SHEET 1 OF 1
	5~10	±0.15				
	~ 5	±0.10				

ECN NO.	REV.	DATE.	DESCRIPTION.	CHANGE.	CHECK.	APPRO.
	A		NEW			