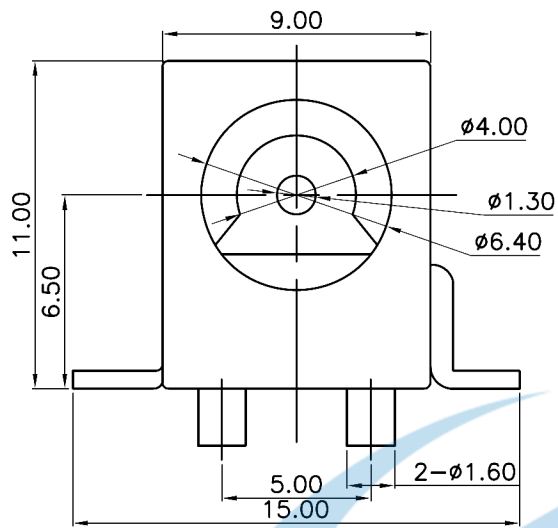
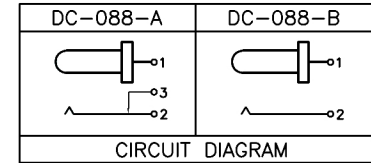
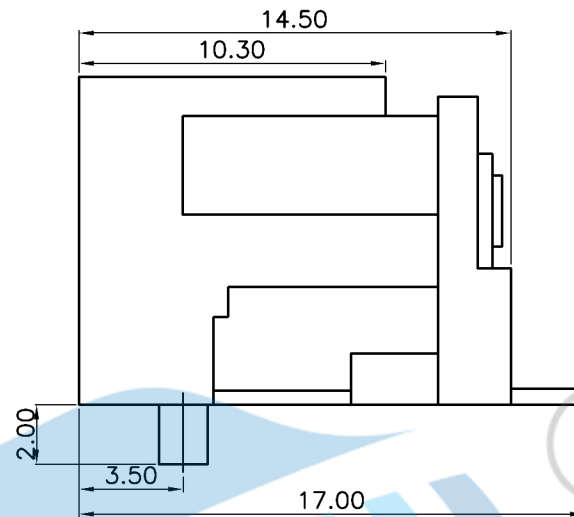


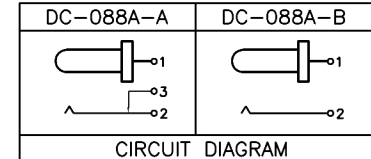
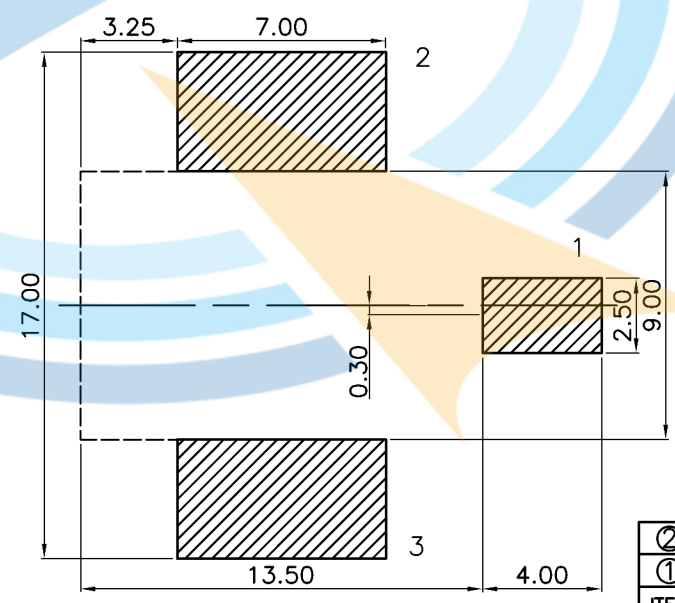
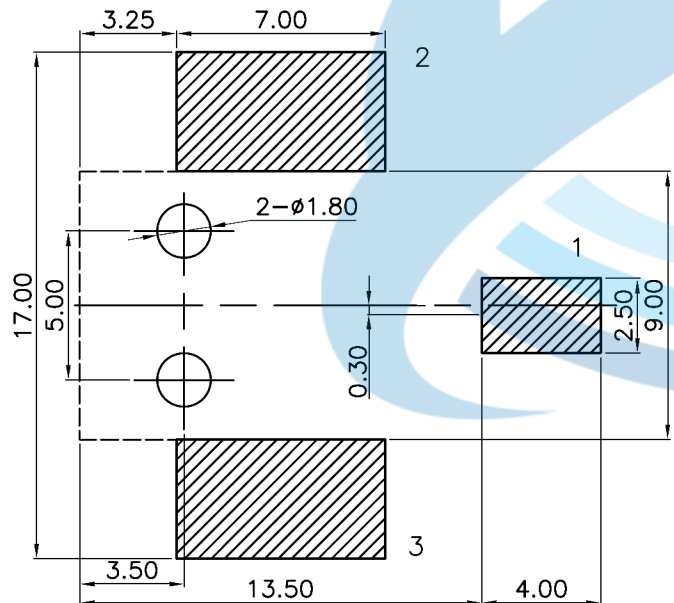
ROHS



P.C.B LAYOUT(Copper-side view)



CIRCUIT DIAGRAM



CIRCUIT DIAGRAM

Rating:0.5A 30V DC
 Contact Resistance:100 mΩ Max.
 Operating temperature:-20℃~70℃
 Operating force:3-20N
 Operating Life:5,000cycles

②	Terminal	3	Phosphor bronze	Au Plating		
①	Housing	1	Nylon	Black		
ITEM	PART NAME	TER'NO.	QTY.	MATERIAL	FINISHING	REMARK

APPROVALS		DATE		东莞市颖鑫电子科技有限公司		
DRAWN	J.X.Zhang	2013/11/11				
CHECKED				TITLE:	PHONE JACKES	
APPROVALS				PART NO.	DC-088	
TOLERANCES ARE		30~以下	±0.30	ANGLE	UNIT: mm	SCALE: 1:1
		10~30	±0.20			
		5~10	±0.15	±2'	DRAWING NO.	SHEET 1 OF 1
		~ 5	±0.10			

ECN NO.	REV.	DATE.	NEW	CHANGE.	CHECK.	APPRO.
	A					