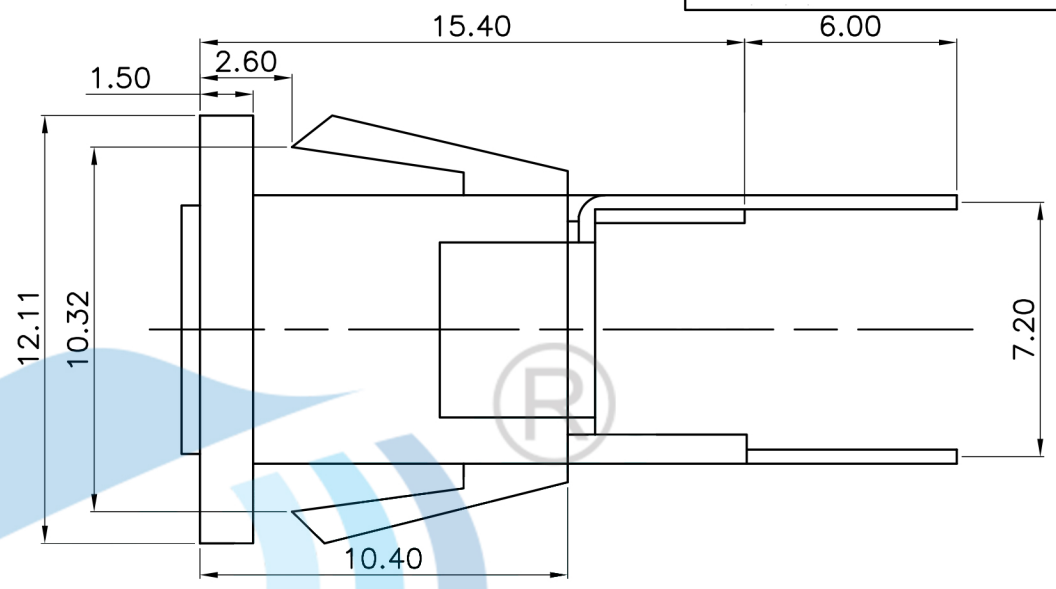
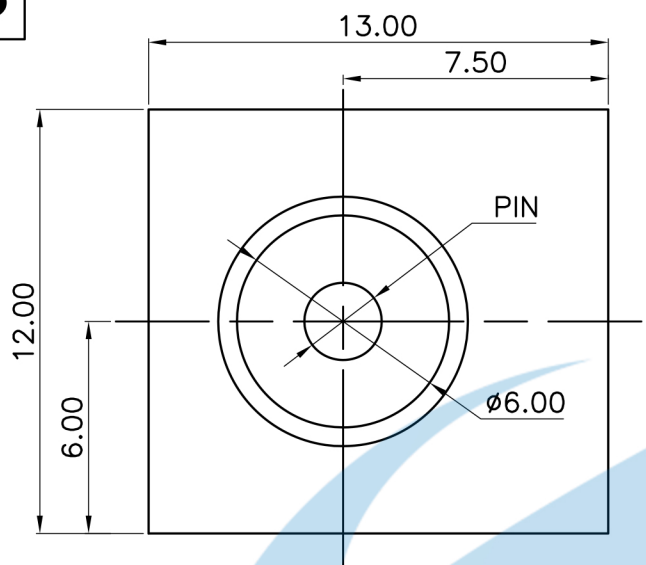
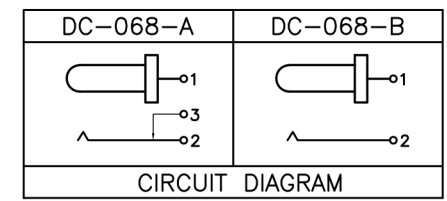
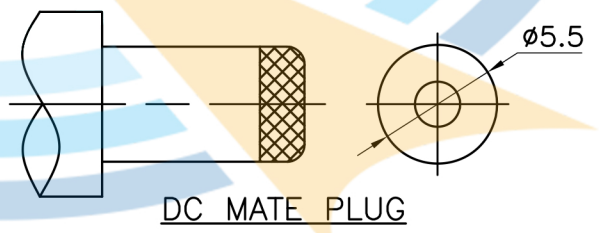
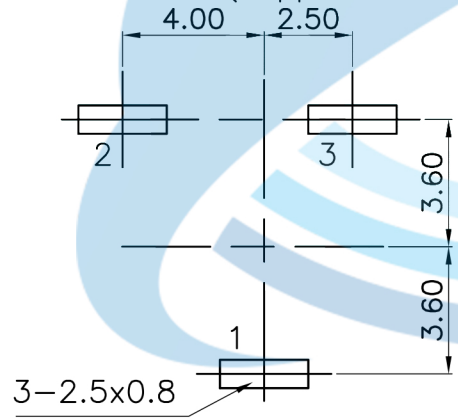


**ROHS**



P.C.B LAYOUT(copper-sided view)



|           |            |            |
|-----------|------------|------------|
| Model No. | 1          | 2          |
| PIN       | $\phi 2.0$ | $\phi 2.5$ |

Rating:0.5A 30V DC  
 Contact Resistance:100 m $\Omega$  Max.  
 Operating temperature:-20 $^{\circ}$ C~70 $^{\circ}$ C  
 Operating force:3~20N  
 Operating Life:5,000cycles

|                |           |            |                  |                 |              |            |
|----------------|-----------|------------|------------------|-----------------|--------------|------------|
| ②              | Terminal  | —          | 3                | Phosphor bronze | Au Plating   | —          |
| ①              | Housing   | —          | 1                | Nylon           | Black        | —          |
| ITEM           | PART NAME | TER'NO.    | QTY.             | MATERIAL        | FINISHING    | REMARK     |
| APPROVALS      |           |            | DATE             | 东莞市颖鑫电子科技有限公司   |              |            |
| DRAWN          | J.X.Zhang | 2013/11/11 |                  |                 |              |            |
| CHECKED        |           |            |                  | TITLE:          | PHONE JACKES |            |
| APPROVALS      |           |            |                  | PART NO.        | DC-068       |            |
| TOLERANCES ARE |           | 30~以上      | $\pm 0.30$       | ANGLE           | UNIT: mm     | SCALE: 1:1 |
|                |           | 10~30      | $\pm 0.20$       |                 | DRAWING NO.  |            |
|                |           | 5~10       | $\pm 0.15$       |                 |              |            |
|                |           | ~ 5        | $\pm 0.10$       | $\pm 2'$        |              |            |
| ECN NO.        | REV.      | DATE.      | NEW DESCRIPTION. | CHANGE.         | CHECK.       | APPRO.     |