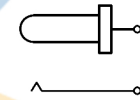
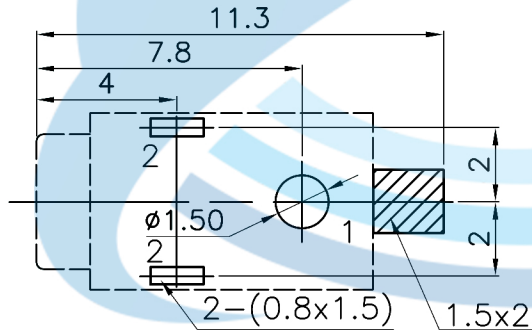
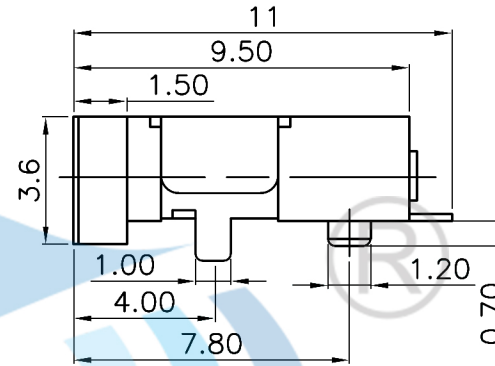


P.C.B LAYOUT TOP VIEW



CIRCUIT DIAGRAM

Rating:0.5A 30V DC
 Contact Resistance:100 mΩ Max.
 Operating temperature:-20℃~70℃
 Operating force:3-20N
 Operating Life:5,000cycles

②	Terminal	—	2	Phosphor bronze	Au Plating	—	
①	Housing	—	1	Nylon	Black	—	
ITEM	PART NAME	TER'NO.	QTY.	MATERIAL	FINISHING	REMARK	
APPROVALS			DATE		东莞市颖鑫电子科技有限公司		
DRAWN	J.X.Zhang	2013/11/11		TITLE:			PHONE JACKES
CHECKED				PART NO.			DC-055
APPROVALS							
TOLERANCES ARE		30~以下	±0.30	ANGLE	UNIT: mm	SCALE: 1:1	
		10~30	±0.20		DRAWING NO.		
		5~10	±0.15	±2'		PROJ:	
		~ 5	±0.10		SHEET	1 OF 1	

—	A	—	NEW	—	—	—
ECN NO.	REV.	DATE.	DESCRIPTION.	CHANGE.	CHECK.	APPRO.