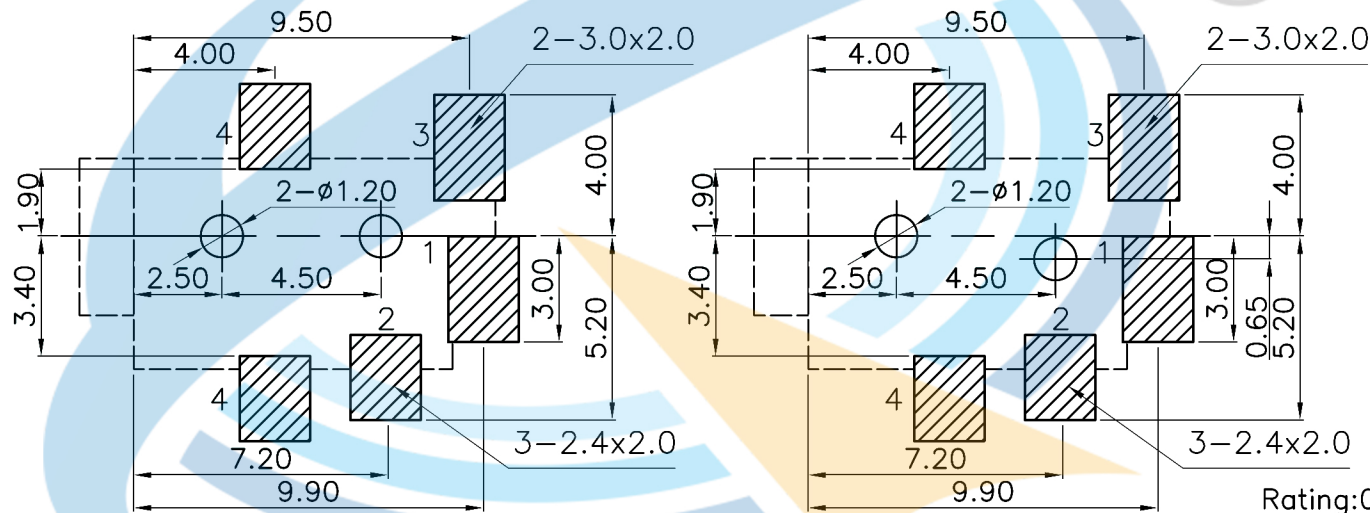
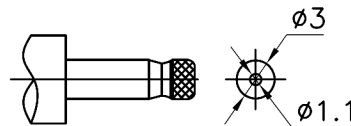


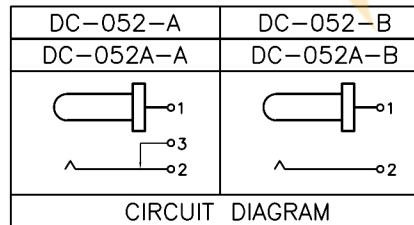
P.C.B LAYOUT(Copper-side view)



Rating:0.5A 30V DC
 Contact Resistance:100 mΩ Max.
 Operating temperature:-20℃~70℃
 Operating force:3-20N
 Operating Life:5,000cycles



DC MATE PLUG



②	Terminal	5	Phosphor bronze	Au Plating		
①	Housing	1	Nylon	Black		
ITEM	PART NAME	TER'NO.	QTY.	MATERIAL	FINISHING	REMARK

APPROVALS		DATE		东莞市颖鑫电子科技有限公司		
DRAWN	J.X.Zhang	2013/11/11				
CHECKED				TITLE:	PHONE JACKES	
APPROVALS				PART NO.	DC-052	
TOLERANCES ARE			30~以下	±0.30	ANGLE	UNIT: mm
			10~30	±0.20		
			5~10	±0.15	±2'	SCALE: 1:1
			~ 5	±0.10		
DRAWING NO.				SHEET 1 OF 1		

ECN NO.	REV.	DATE.	NEW	CHANGE.	CHECK.	APPRO.
	A					
DESCRIPTION.						