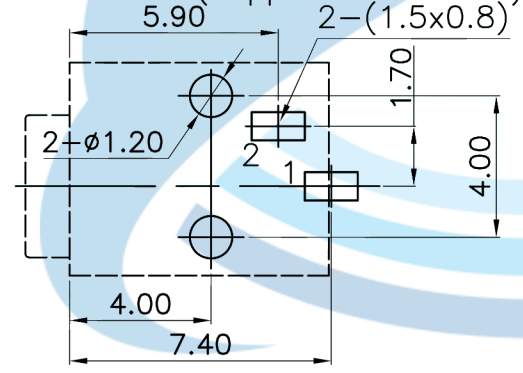


P.C.B LAYOUT(copper-sided view)



Model No.	H=1.5	DC-048
	H=1.1	DC-048A
Schematic		

Rating:0.5A 30V DC
 Contact Resistance:100 mΩ Max.
 Operating temperature:-20℃~70℃
 Operating force:3-20N
 Operating Life:5,000cycles

②	Terminal	—	2	Phosphor bronze	Au Plating	—	
①	Housing	—	1	Nylon	Black	—	
ITEM	PART NAME	TER'NO.	QTY.	MATERIAL	FINISHING	REMARK	
APPROVALS			DATE	东莞市颖鑫电子科技有限公司			
DRAWN	J.X.Zhang	2013/11/11					
CHECKED				TITLE:	PHONE JACKES		
APPROVALS				PART NO.	DC-048		
TOLERANCES ARE		30~以上	±0.30	ANGLE	UNIT: mm	SCALE: 1:1	
		10~30	±0.20		DRAWING NO.	—	SHEET 1 OF 1
		5~10	±0.15				
		~ 5	±0.10		±2'		

ECN NO.	REV.	DATE.	DESCRIPTION.	CHANGE.	CHECK.	APPRO.
	A		NEW			