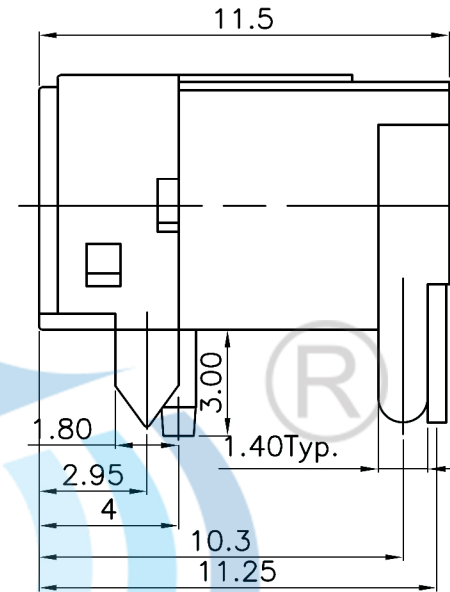
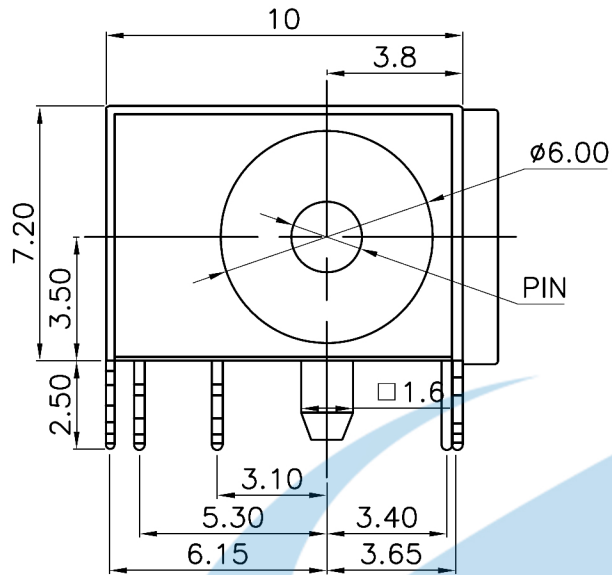
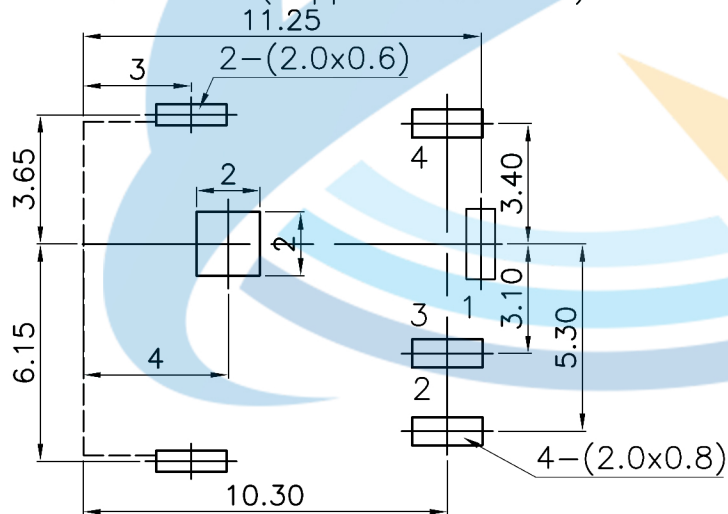


**ROHS**



P.C.B LAYOUT(copper-sided view)



Rating:0.5A 30V DC  
 Contact Resistance:100 mΩ Max.  
 Operating temperature:-20℃~70℃  
 Operating force:3-20N  
 Operating Life:5,000cycles

Model No.	DC-044C-A	DC-044C-B
Schematic		
Model No.	DC-044C-C	DC-044C-D
Schematic		

Model No.	1	2	3
PIN	φ1.65	φ2.0	φ2.5

②	Terminal	4	Phosphor bronze	Au Plating		
①	Housing	1	Nylon	Black		
ITEM	PART NAME	TER'NO.	QTY.	MATERIAL	FINISHING	REMARK
APPROVALS			DATE	东莞市颖鑫电子科技有限公司		
DRAWN	J.X.Zhang	2013/11/11				
CHECKED				TITLE:	PHONE JACKES	
APPROVALS				PART NO.	DC-044C	
TOLERANCES ARE			30~以下	±0.30	ANGLE	UNIT: mm
			10~30	±0.20	±2'	SCALE: 1:1
			5~10	±0.15		PROJ:
			~ 5	±0.10		DRAWING NO.
						SHEET 1 OF 1

ECN NO.	REV.	DATE.	NEW	CHANGE.	CHECK.	APPRO.
	A					