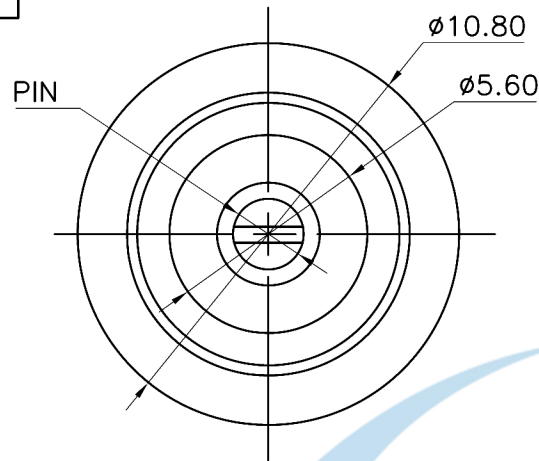
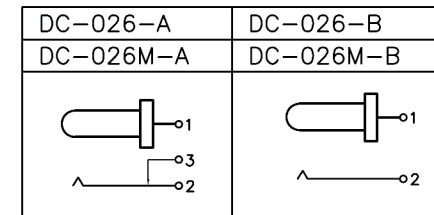
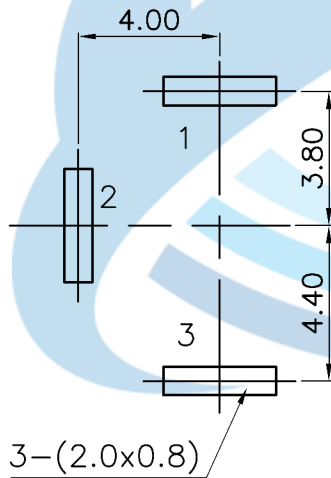
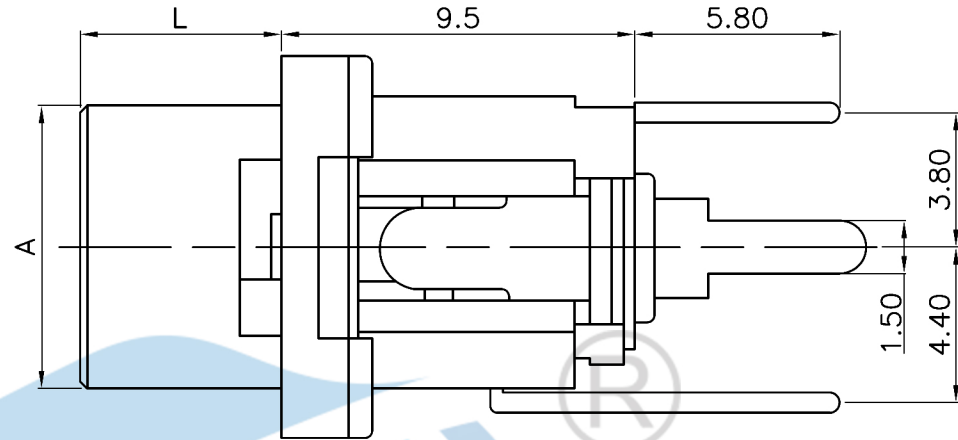


**ROHS**



P.C.B LAYOUT(copper-sided view)



Model No.	L=5.7,A=φ8 L=5.2,A=M8xP0.75	1	2	3
PIN		φ2.0	φ2.35	φ2.5

Rating:0.5A 30V DC  
 Contact Resistance:100 mΩ Max.  
 Operating temperature:-20℃~70℃  
 Operating force:3-20N  
 Operating Life:5,000cycles

②	Terminal	---	3	Phosphor bronze	Au Plating	---
①	Housing	---	1	Nylon	Black	---
ITEM	PART NAME	TER'NO.	QTY.	MATERIAL	FINISHING	REMARK
APPROVALS			DATE	东莞市颖鑫电子科技有限公司		
DRAWN	J.X.Zhang	2013/11/11				
CHECKED				TITLE:	PHONE JACKES	
APPROVALS				PART NO.	DC-026M	
TOLERANCES ARE		30~以下	±0.30	ANGLE	UNIT: mm	SCALE: 1:1
		10~30	±0.20			PROJ:
		5~10	±0.15		DRAWING NO.	
		~ 5	±0.10	±2'		SHEET 1 OF 1

---	A	---	NEW	---	---	---
ECN NO.	REV.	DATE.	DESCRIPTION.	CHANGE.	CHECK.	APPRO.