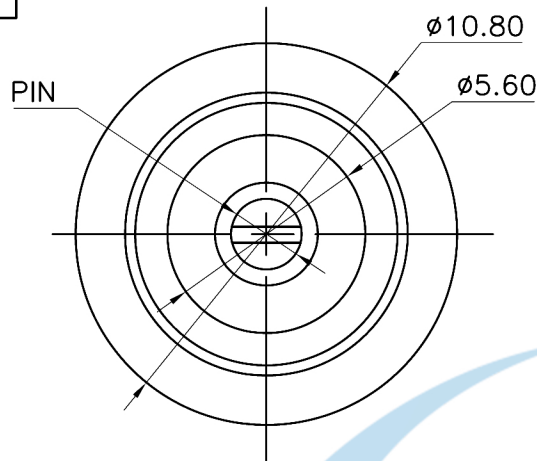
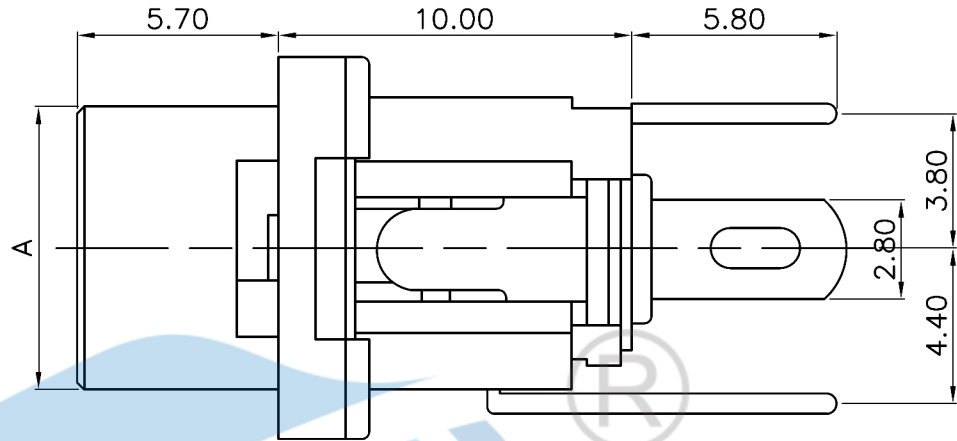
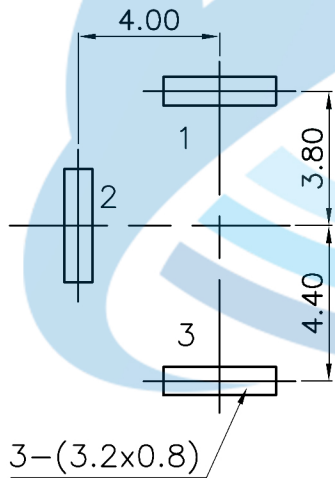


ROHS



P.C.B LAYOUT(copper-sided view)



Model No.	DC-025	DC-025M
A	∅8.0	M8xP0.75

Model No.	DC-025M-A	DC-025M-B
	DC-025-A	DC-025-B
Schematic		

Model No.	1	2	3
PIN	∅2.0	∅2.35	∅2.5

Rating:0.5A 30V DC
 Contact Resistance:100 mΩ Max.
 Operating temperature:-20℃~70℃
 Operating force:3-20N
 Operating Life:5,000cycles

② Terminal	3	Phosphor bronze	Au Plating	——		
① Housing	1	Nylon	Black	——		
ITEM	PART NAME	TER'NO.	QTY.	MATERIAL	FINISHING	REMARK

APPROVALS		DATE	东莞市颖鑫电子科技有限公司			
DRAWN	J.X.Zhang	2013/11/11				
CHECKED			TITLE:	PHONE JACKES		
APPROVALS			PART NO.	DC-025		
TOLERANCES ARE	30~以下	±0.30	ANGLE	UNIT: mm	SCALE: 1:1	PROJ:
	10~30	±0.20				
	5~10	±0.15	±2'	DRAWING NO.		SHEET 1 OF 1
	~ 5	±0.10				

ECN NO.	REV.	DATE.	DESCRIPTION.	CHANGE.	CHECK.	APPRO.
	A		NEW			