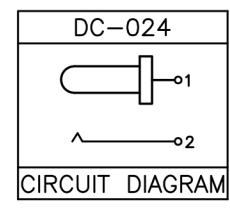
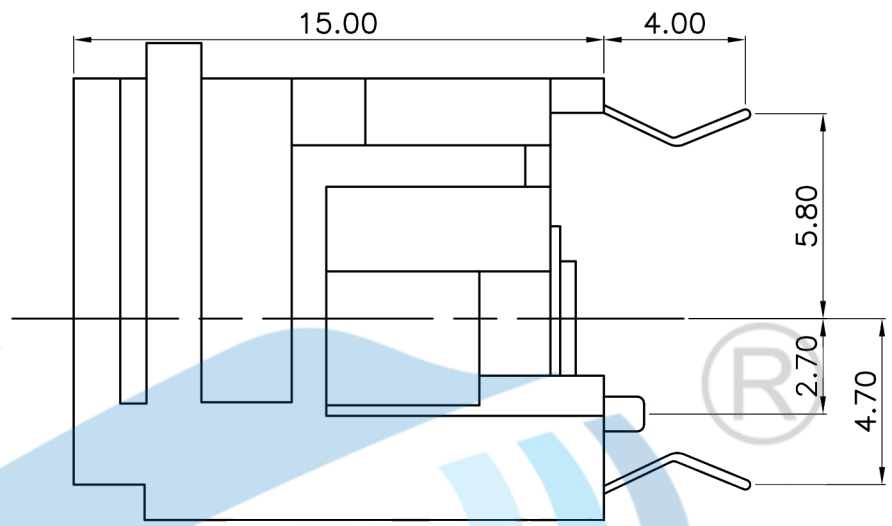
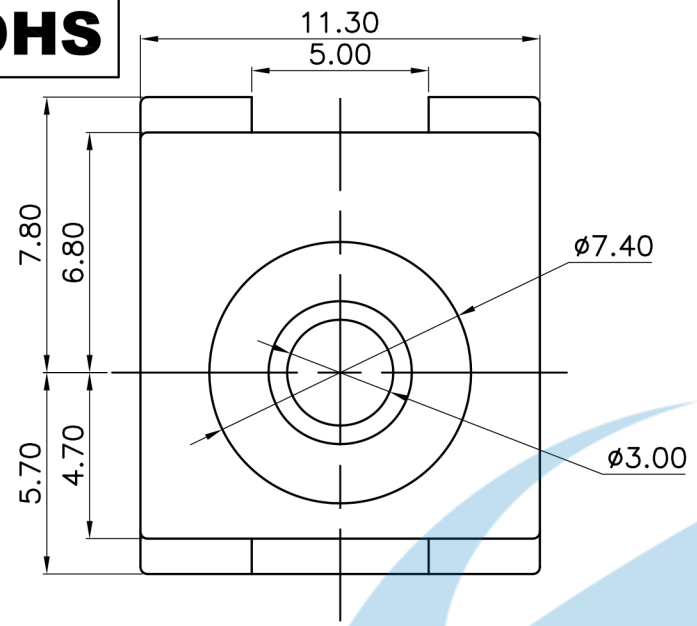
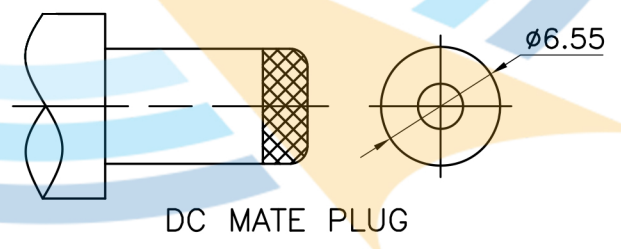
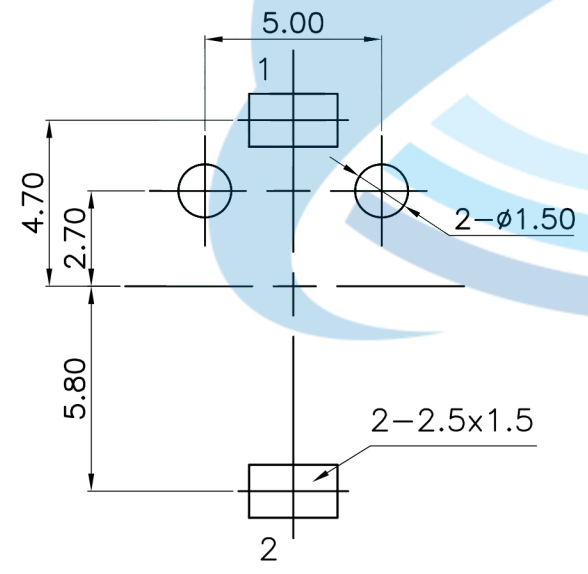


**ROHS**



P.C.B LAYOUT(copper-sided view)



Rating:0.5A 30V DC  
Contact Resistance:100 mΩ Max.  
Operating temperature:-20℃~70℃  
Operating force:3-20N  
Operating Life:5,000cycles

②	Terminal	—	2	Phosphor bronze	Au Plating	—
①	Housing	—	1	Nylon	Black	—
ITEM	PART NAME	TER'NO.	QTY.	MATERIAL	FINISHING	REMARK
APPROVALS			DATE	东莞市颖鑫电子科技有限公司		
DRAWN	J.X.Zhang	2013/11/11				
CHECKED				TITLE:	PHONE JACKES	
APPROVALS				PART NO.	DC-024	
TOLERANCES ARE		30~以上	±0.30	ANGLE	UNIT: mm	SCALE: 1:1
		10~30	±0.20			
		5~10	±0.15			
		~ 5	±0.10			
				±2'	DRAWING NO.	SHEET 1 OF 1
ECN NO.	REV.	DATE.	DESCRIPTION.	CHANGE.		

ECN NO.	REV.	DATE.	DESCRIPTION.	CHANGE.	CHECK.	APPRO.
	A		NEW			