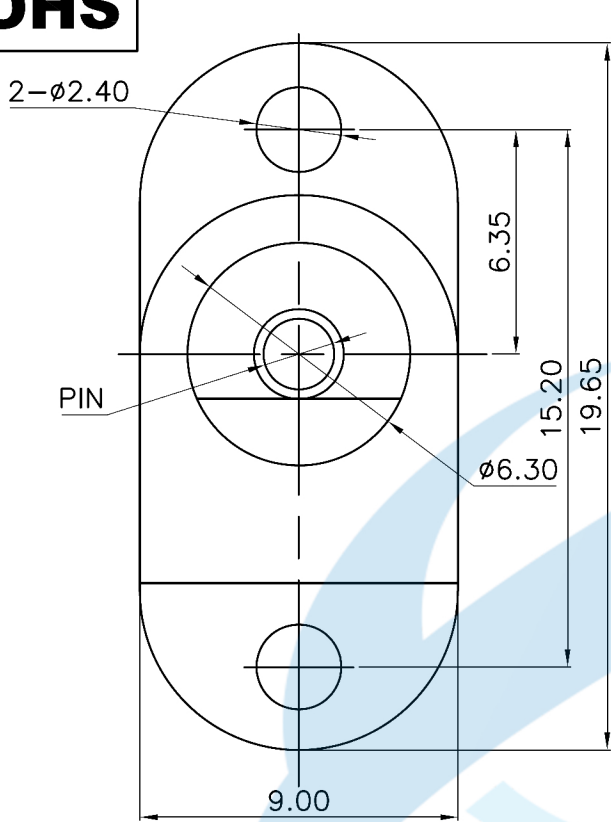
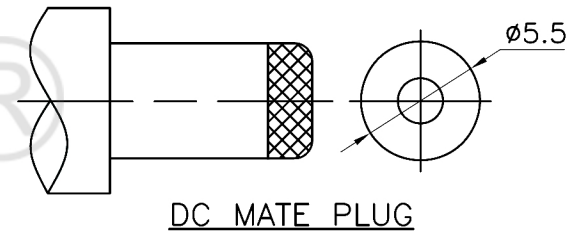
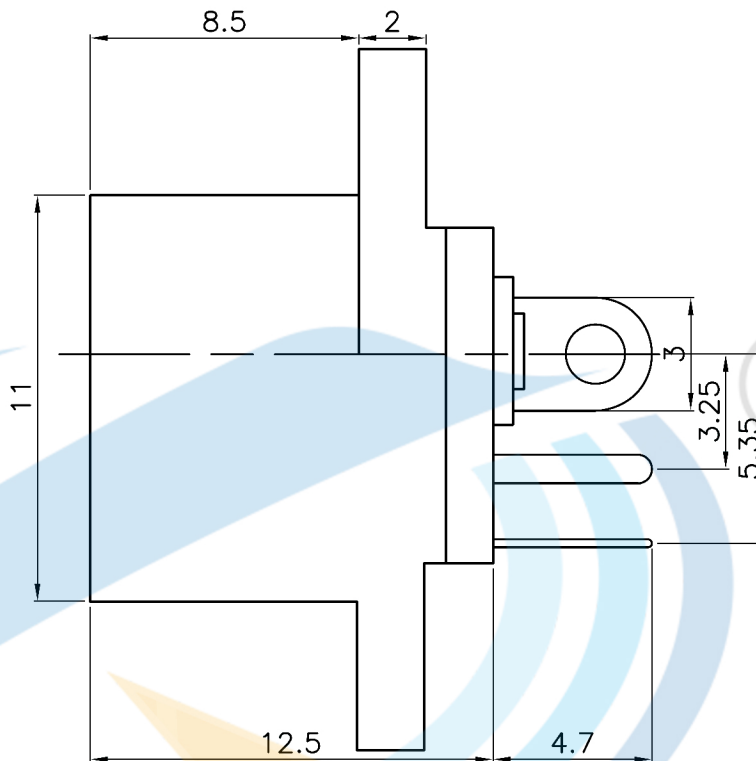
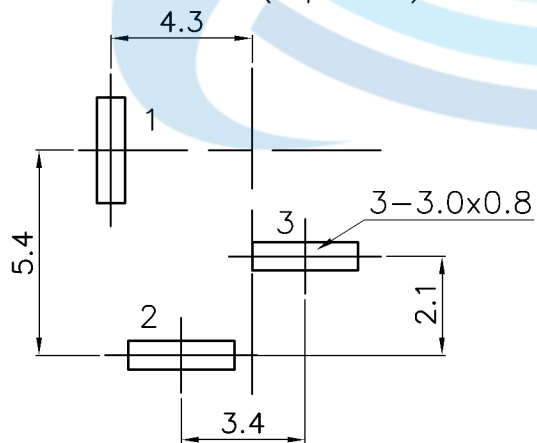


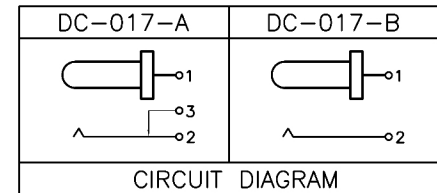
**ROHS**



P.C.B LAYOUT(top view)



DC MATE PLUG



CIRCUIT DIAGRAM

Model No.	1	2	3
PIN	ø2.0	ø2.35	ø2.5

Rating:0.5A 30V DC  
 Contact Resistance:100 mΩ Max.  
 Operating temperature:-20℃~70℃  
 Operating force:3~20N  
 Operating Life:5,000cycles

②	Terminal	3	Phosphor bronze	Au Plating		
①	Housing	1	Nylon	Black		
ITEM	PART NAME	TER'NO.	QTY.	MATERIAL	FINISHING	REMARK
APPROVALS			DATE	东莞市颖鑫电子科技有限公司		
DRAWN	J.X.Zhang	2013/11/11				
CHECKED						
APPROVALS				TITLE:	PHONE JACKES	
				PART NO.	DC-017	
TOLERANCES ARE		30~以下	±0.30	ANGLE	UNIT: mm	SCALE: 1:1
		10~30	±0.20			
		5~10	±0.15			
		~ 5	±0.10	±2'	DRAWING NO.	
						SHEET 1 OF 1

ECN NO.	REV.	DATE.	NEW	CHANGE.	CHECK.	APPRO.
	A					