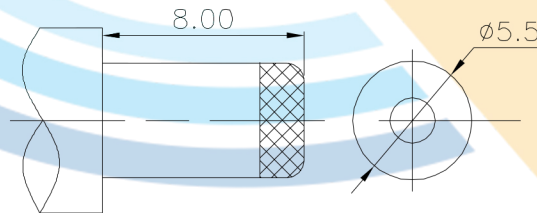
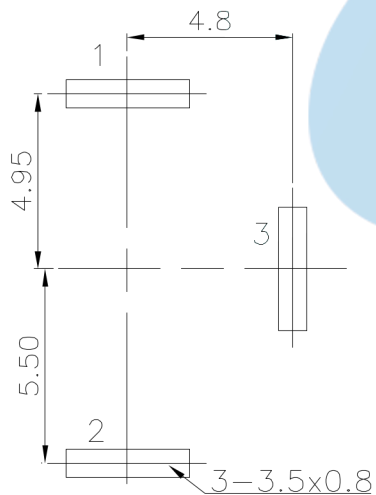
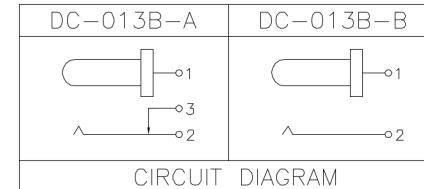


P.C.B LAYOUT(Copper-side view)



DC MATE PLUG



Model No.	1	2	3
PIN	$\phi 2.0$	$\phi 2.35$	$\phi 2.5$

Rating:0.5A 30V DC  
 Contact Resistance:100 m $\Omega$  Max.  
 Operating temperature:-20 $^{\circ}$ C~70 $^{\circ}$ C  
 Operating force:3-20N  
 Operating Life:5,000cycles

②	Terminal	3	Phosphor bronze	Au Plating		
①	Housing	1	Nylon	Black		
ITEM	PART NAME	TER.NO.	QTY.	MATERIAL	FINISHING	REMARK

APPROVALS		DATE		<b>东莞市颖鑫电子科技有限公司</b>		
DRAWN	J.X.Zhang	2013/11/11				
CHECKED				TITLE:	DC JACKES	
APPROVALS				PART NO.	DC-013B	
TOLERANCES ARE		30~40: ±0.30	ANGLE	UNIT: mm	SCALE: 1:1	PROJ:
		10~30: ±0.20		DRAWING NO.		SHEET 1 OF 1
		5~10: ±0.15				
		~ 5: ±0.10	±2°			

ECN NO.	REV.	DATE.	DESCRIPTION.	CHANGE.	CHECK.	APPRO.
	A		NEW			