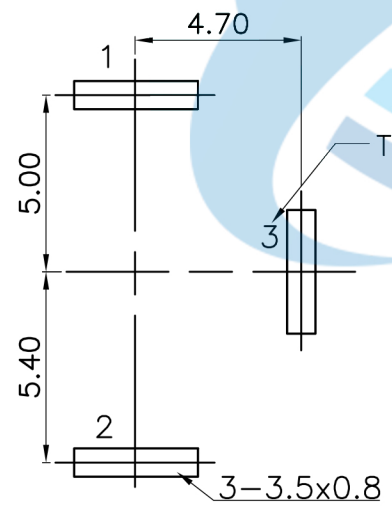
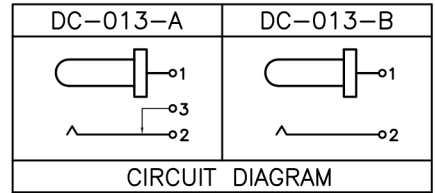
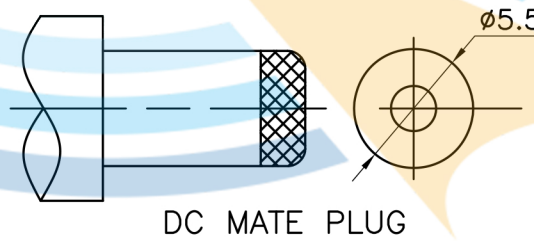


P.C.B LAYOUT(Copper-side view)



Terminal No.



Model No.	1	2	3
PIN	$\phi 2.0$	$\phi 2.35$	$\phi 2.5$

Rating:0.5A 30V DC
 Contact Resistance:100 m Ω Max.
 Operating temperature:-20 $^{\circ}$ C~70 $^{\circ}$ C
 Operating force:3~20N
 Operating Life:5,000cycles

②	Terminal	3	Phosphor bronze	Au Plating		
①	Housing	1	Nylon	Black		
ITEM	PART NAME	TER'NO.	QTY.	MATERIAL	FINISHING	REMARK

APPROVALS		DATE		东莞市颖鑫电子科技有限公司			
DRAWN	J.X.Zhang	2013/11/11					TITLE:
APPROVALS				PART NO.	DC-013		
TOLERANCES ARE		30~以上	± 0.30	ANGLE	UNIT: mm	SCALE: 1:1	PROJ:
		10~30	± 0.20				
		5~10	± 0.15				
		~ 5	± 0.10				
				$\pm 2'$	DRAWING NO.		SHEET 1 OF 1

ECN NO.	REV.	DATE.	DESCRIPTION.	CHANGE.	CHECK.	APPRO.
	A		NEW			