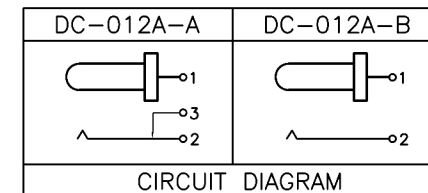
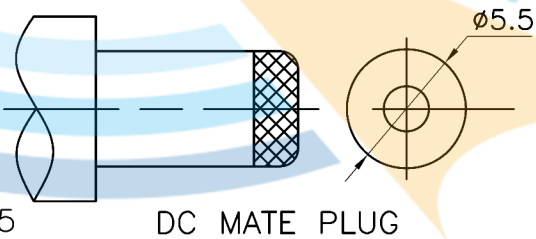
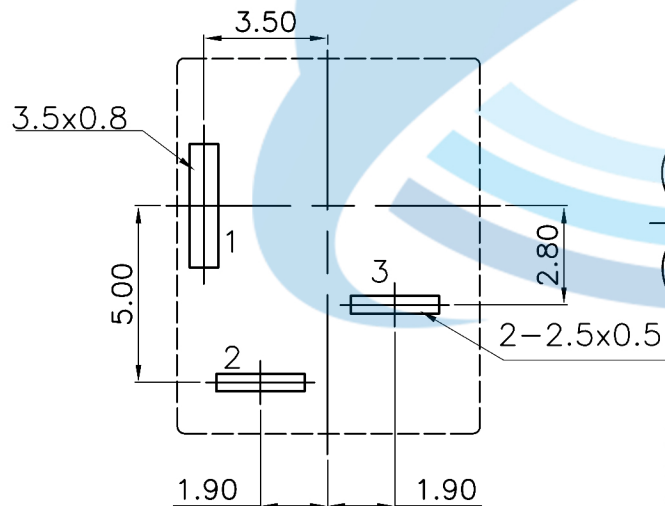


P.C.B LAYOUT(Copper-side view)



Model No.	1	2	3
PIN	φ2.0	φ2.35	φ2.5

Rating:0.5A 30V DC
 Contact Resistance:100 mΩ Max.
 Operating temperature:-20℃~70℃
 Operating force:3-20N
 Operating Life:5,000cycles

②	Terminal	3	Phosphor bronze	Au Plating		
①	Housing	1	Nylon	Black		
ITEM	PART NAME	TER'NO.	QTY.	MATERIAL	FINISHING	REMARK
APPROVALS			DATE	东莞市颖鑫电子科技有限公司		
DRAWN	J.X.Zhang	2013/11/11				
CHECKED				TITLE:	PHONE JACKES	
APPROVALS				PART NO.	DC-012A	
TOLERANCES ARE		30~以下	±0.30	ANGLE	UNIT: mm	SCALE: 1:1
		10~30	±0.20		DRAWING NO.	
		5~10	±0.15	±2'		
		~ 5	±0.10		SHEET	1 OF 1

ECN NO.	REV.	DATE.	DESCRIPTION.	CHANGE.	CHECK.	APPRO.
	A		NEW			