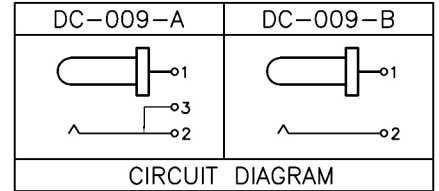
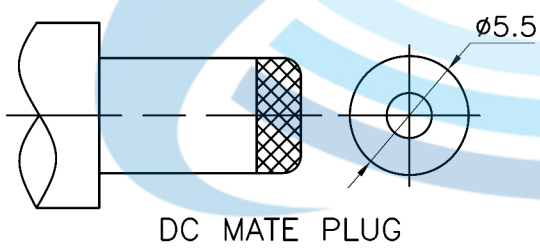
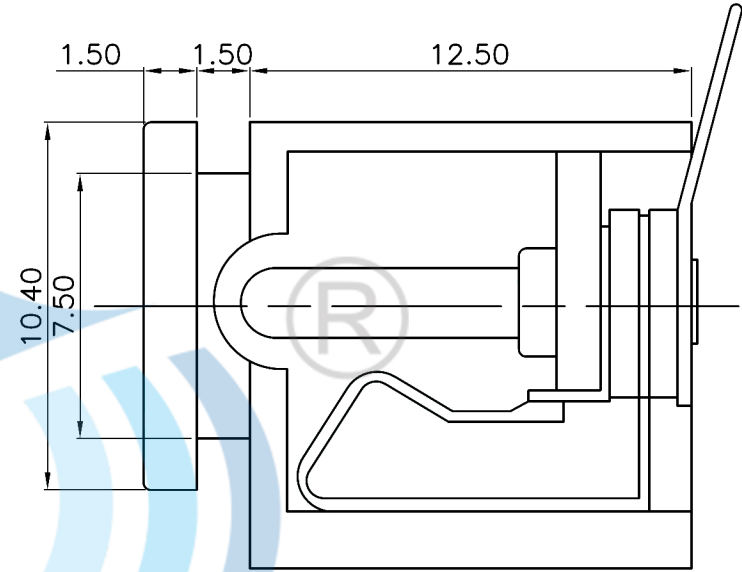
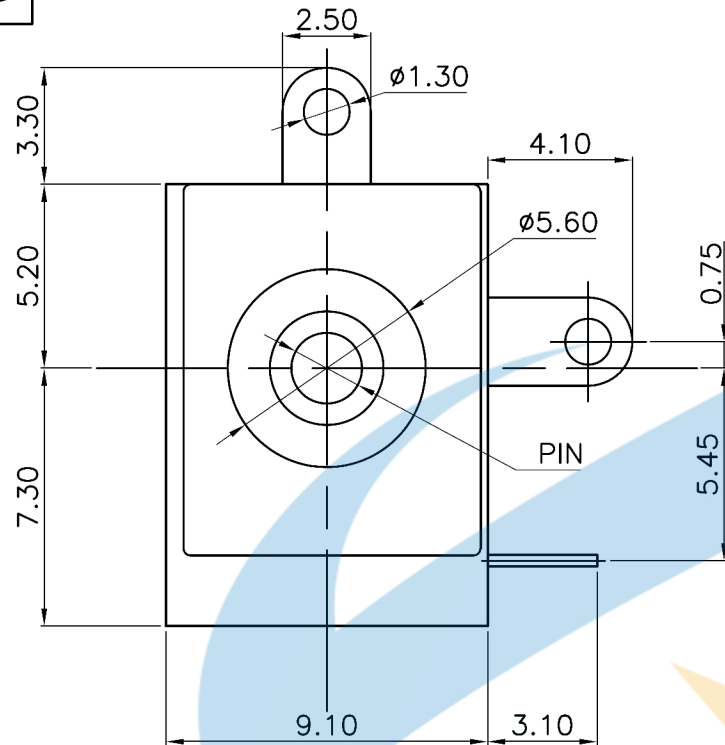


ROHS



Model No.	1	2	3
PIN	φ2.0	φ2.35	φ2.5

Rating:0.5A 30V DC
 Contact Resistance:100 mΩ Max.
 Operating temperature:-20℃~70℃
 Operating force:3-20N
 Operating Life:5,000cycles

② Terminal	3	Phosphor bronze	Au Plating			
① Housing	1	Nylon	Black			
ITEM	PART NAME	TER'NO.	QTY.	MATERIAL	FINISHING	REMARK

APPROVALS		DATE	东莞市颖鑫电子科技有限公司	
DRAWN	J.X.Zhang	2013/11/11		
CHECKED			TITLE:	PHONE JACKES
APPROVALS			PART NO.	DC-009

ECN NO.	REV.	DATE.	DESCRIPTION.	CHANGE.	CHECK.	APPRO.	TOLERANCES ARE	30~以下	±0.30	ANGLE	UNIT: mm	SCALE: 1:1	PROJ:
	A		NEW				10~30	±0.20					
							5~10	±0.15		±2'			
							~ 5	±0.10					SHEET 1 OF 1