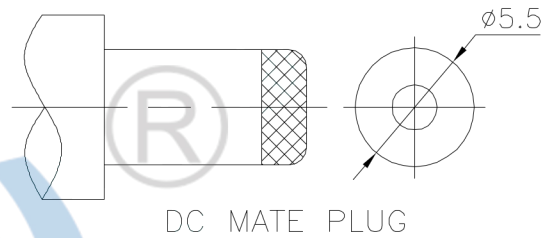
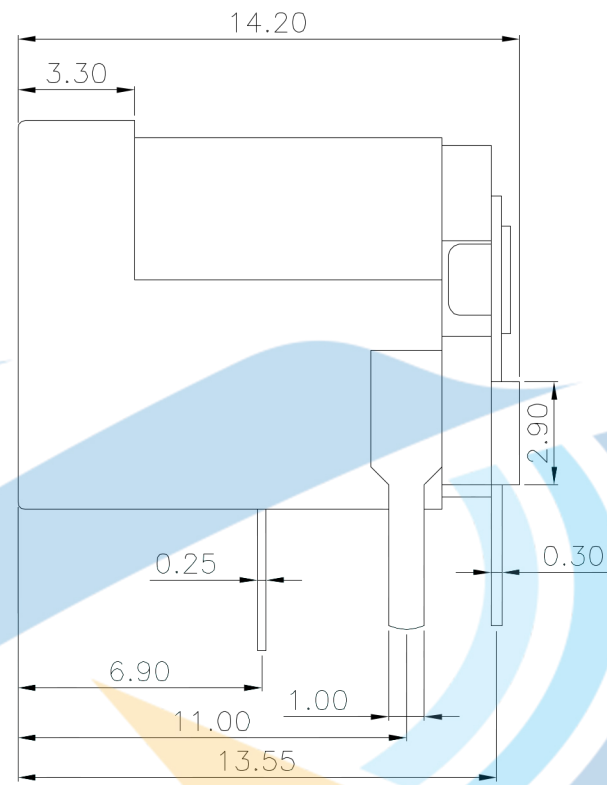
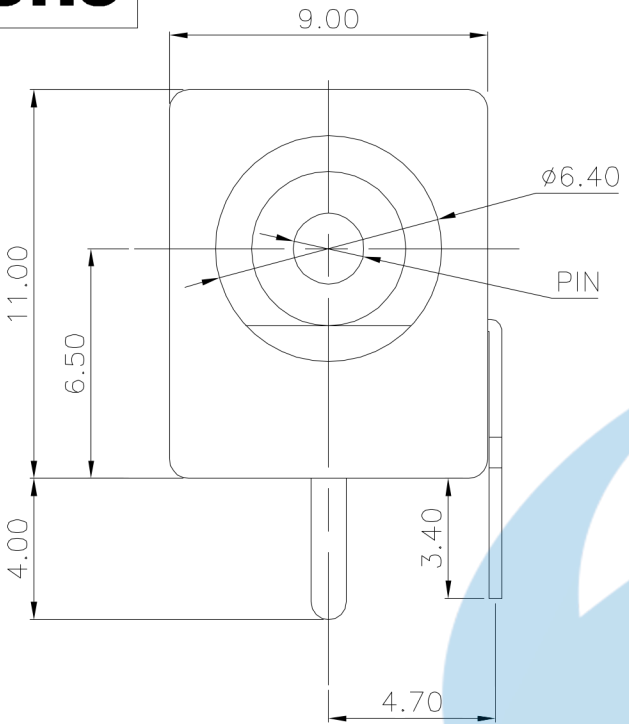
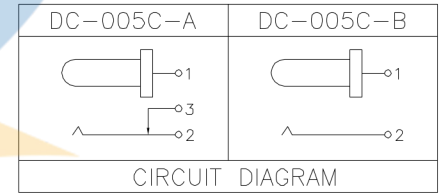
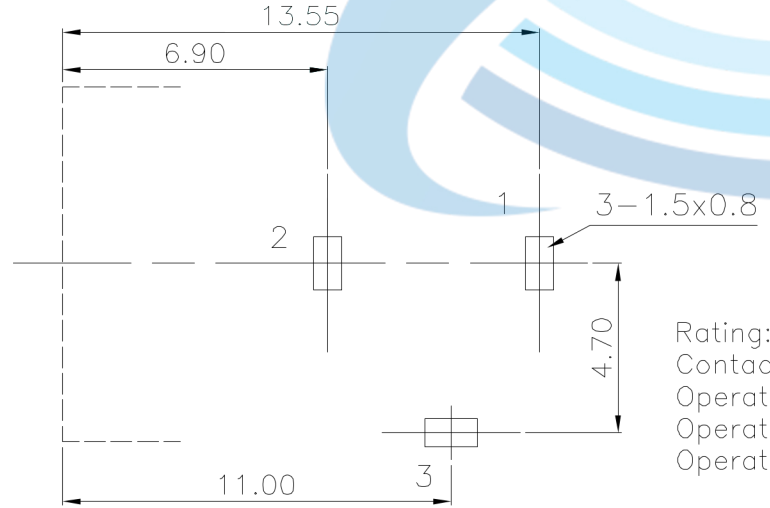


ROHS



P.C.B LAYOUT(Copper-side view)



Model No.	1	2
PIN	φ2.0	φ2.5

Rating: DC 24V 3A
 Contact Resistance:100 mΩ Max.
 Operating temperature:-20℃~70℃
 Operating force:3~20N
 Operating Life:5,000cycles

②	Terminal	3	Phosphor bronze	Ag Plating		
①	Housing	1	Nylon	Black		
ITEM	PART NAME	TER'NO.	QTY.	MATERIAL	FINISHING	REMARK

APPROVALS		DATE		东莞市颖鑫电子科技有限公司		
DRAWN	J.X.Zhang	2013/11/11				
CHECKED				TITLE: DC JACKES		
APPROVALS				PART NO. DC-005C		
TOLERANCES ARE		30~40: ±0.30	ANGLE	UNIT: mm	SCALE: 1:1	PROJ:
		10~30: ±0.20	±2°	DRAWING NO.		SHEET 1 OF 1
		5~10: ±0.15				
		~ 5: ±0.10				

ECN NO.	REV.	DATE.	NEW	CHANGE.	CHECK.	APPRO.
	A					
DESCRIPTION.						