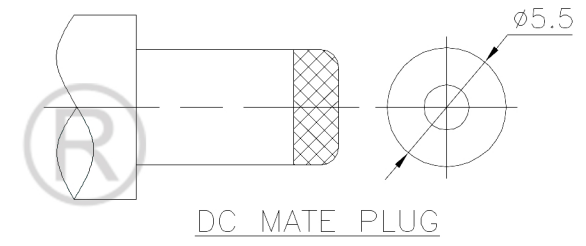
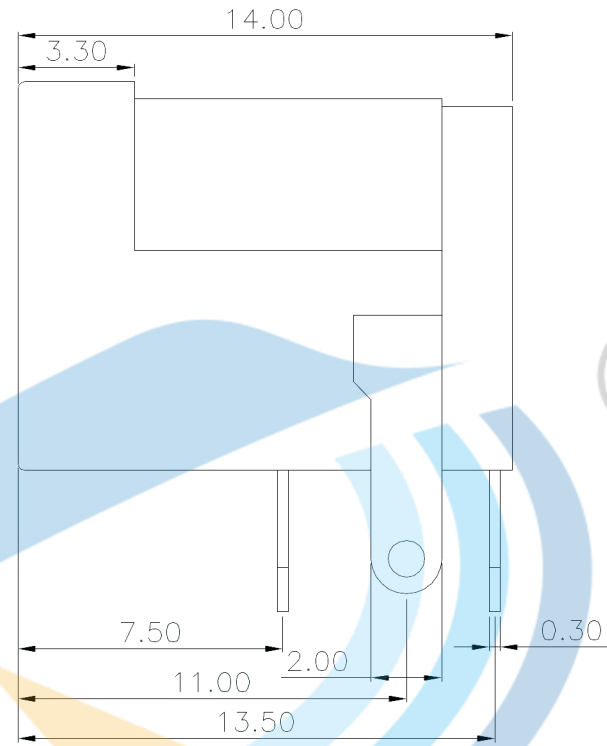
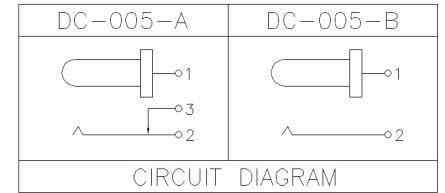
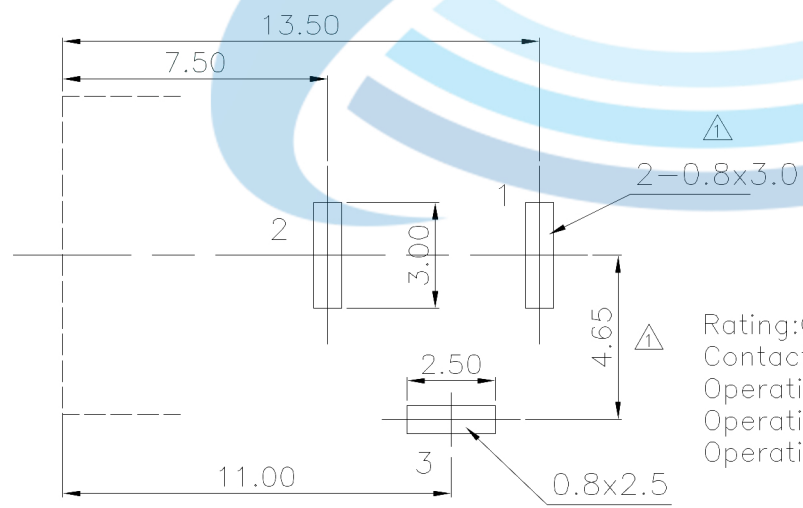


P.C.B LAYOUT (Copper-side view)



DC MATE PLUG



CIRCUIT DIAGRAM

Model No.	1	2	3
PIN	$\phi 2.0$	$\phi 2.35$	$\phi 2.5$

Rating: 0.5A 30V DC
 Contact Resistance: 100 m Ω Max.
 Operating temperature: -20 $^{\circ}$ C ~ 70 $^{\circ}$ C
 Operating force: 3-20N
 Operating Life: 5,000 cycles

②	Terminal	3	Phosphor bronze	Au Plating		
①	Housing	1	Nylon	Black		
ITEM	PART NAME	TER. NO.	QTY.	MATERIAL	FINISHING	REMARK

APPROVALS			DATE			东莞市颖鑫电子科技有限公司		
DRAWN	J.X.Zhang	2013/11/11						
CHECKED						TITLE: PHONE JACKES		
APPROVALS						PART NO. DC-005		
TOLERANCES ARE			30~121	± 0.30	ANGLE	UNIT: mm	SCALE: 1:1	PROJ:
			10~30	± 0.20				
			5~10	± 0.15				
			~ 5	± 0.10	$\pm 2^{\circ}$	DRAWING NO.		SHEET 1 OF 1

ECN NO.	REV.	DATE.	DESCRIPTION.	CHANGE.	CHECK.	APPRO.
	B		2016.12.12 NEW			
	A					