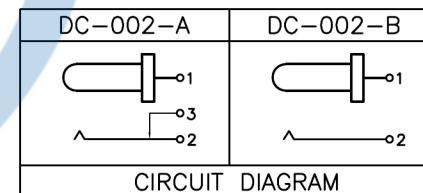
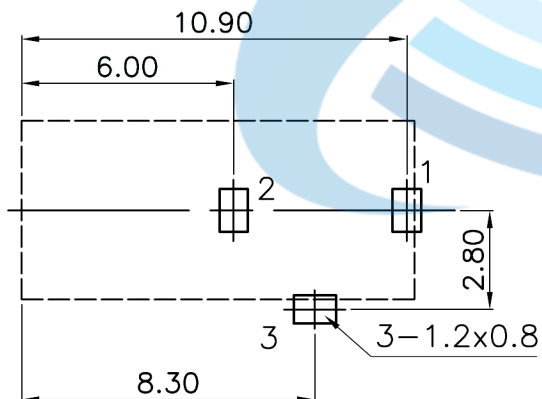


DC MATE PLUG

P.C.B LAYOUT(Copper-side view)



Model No.	1	2	3	4
PIN	Ø0.65	Ø1.0	Ø1.3	Ø1.65
DC PLUG O.D.	Ø2.35	Ø3.5	Ø3.5	Ø4.0

Rating:0.5A 30V DC  
 Contact Resistance:100 mΩ Max.  
 Operating temperature:-20℃~70℃  
 Operating force:3-20N  
 Operating Life:5,000cycles

② Terminal	3	Phosphor bronze	Au Plating			
① Housing	1	Nylon	Black			
ITEM	PART NAME	TER'NO.	QTY.	MATERIAL	FINISHING	REMARK

APPROVALS		DATE	东莞市颖鑫电子科技有限公司			
DRAWN	J.X.Zhang	2013/11/11				
CHECKED			TITLE:	PHONE JACKES		
APPROVALS			PART NO.	DC-002		
TOLERANCES ARE	30~以下	±0.30	ANGLE	UNIT: mm	SCALE: 1:1	PROJ:
	10~30	±0.20				
	5~10	±0.15		DRAWING NO.		SHEET 1 OF 1
	~ 5	±0.10	±2'			

ECN NO.	REV.	DATE.	NEW	CHANGE.	CHECK.	APPRO.
	A					